

User Manual

Machine&Working Position Strip LED Lights Specification

-LF32 24VAC Series



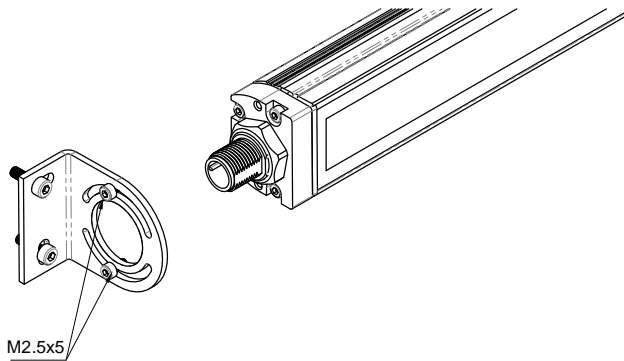
Machine&Working position LED lights are suitable for the local lighting, e.g., machine in the production and processing plant, control cabinet, or working position, etc. Based on their high ability on water and dust proofing, the lights with solid shell can be applicable to any harsh environmental conditions. The characteristics of low voltage makes LED can be directly incorporated into the industrial safety low voltage interface, so it is easy for industrial control.

- High power solid state LED array in white models
- 32 mm total width
- Lighted lengths available in four size: 250mm,500mm,750mm, 1000 mm
- 18~30VAC operation
- Cabled and Quick Disconnect models available, the length of the cable canbe customized
- Stand-alone and cascable models available
- IP65

• Technical Parameter

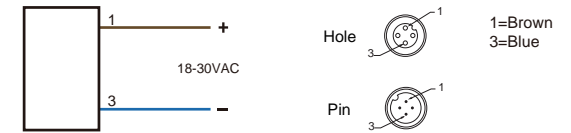
Type	LF32W 250...	LF32W 500...	LF32W 750...	LF32W 1000...
Length(mm)	250	500	750	1000
Operating voltage(V)	18~30V AC			
Power(W)	5~7	10~14	15~21	20~28
CCT(K)	5700			
Lumens(lm)	550	1100	1650	2200
IP	IP65			
Operating temperature	-20°~50°			
Note	The Power & Lumens has the fluctuation of 10% in normal			

• Installation instructions

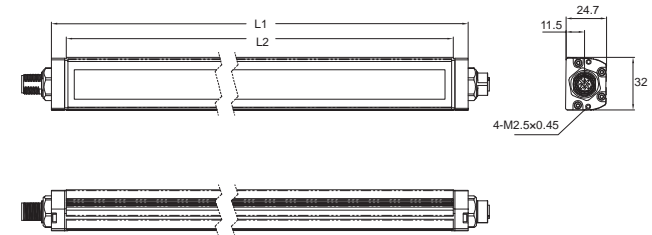


- Before installing the LED lights, Must ensure the power be off.
- When installing the lights, please accord to the graphic for wiring installation.

Install schematic diagram is as follows:



• Sizes(mm)



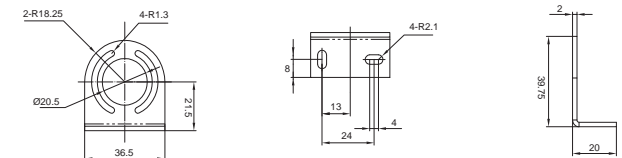
Model	L1(mm)	L2(mm)
LF32W250...	268	250
LF32W500...	518	500
LF32W750...	768	750
LF32W1000...	1018	1000

• Accessories



Each LED light has 2pcs brackets and 4pcs M4*16 screws for installation, and the angle of the brackets canbe adjusted.

The size of the braket is as follows:



User Manual

Machine&Working Position Strip LED

Lights Specification

-LF32 24VDC Series



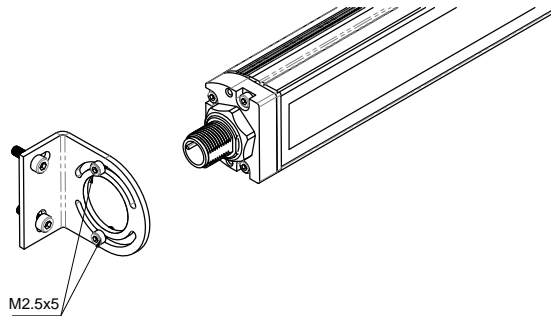
Machine&Working position LED lights are suitable for the local lighting, e.g., machine in the production and processing plant, control cabinet, or working position, etc. Based on their high ability on water and dust proofing, the lights with solid shell can be applicable to any harsh environmental conditions. The characteristics of low voltage makes LED can be directly incorporated into the industrial safety low voltage interface, so it is easy for industrial control.

- High power solid state LED array in white models
- 32 mm total width
- Lighted lengths available in four size: 250mm,500mm,750mm, 1000 mm
- 18~30VDC operation
- Cabled and Quick Disconnect models available, the length of the cable canbe customized
- Stand-alone and cascable models available
- IP65

• Technical Parameter

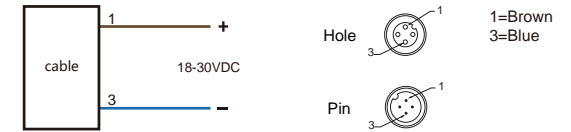
Type	LF32W 250...	LF32W 500...	LF32W 750...	LF32W 1000...
Length(mm)	250	500	750	1000
Operating voltage(V)	18~30VDC			
Power(W)	6~7	12~14	18~20	24~26
CCT(K)	5700 (WW: 3000-3500, WP: 4000)			
Lumens(lm)	550	1100	1650	2200
IP	IP65			
Operating temperature	-20°~50°			
Note	The Power &Lumens has the fluctuation of 10% in normal			

• Installation instructions

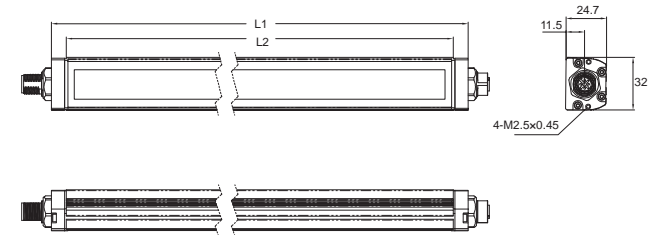


- Before installing the LED lights, Must ensure the power be off.
- When installing the lights, please accord to the graphic for wiring installation.
- Must access the anode of 18-30VDC voltage to No1 pin or hole (when cascaded), and the cathode 18-30VDC voltage to No3 pin or hole.

Install schematic diagram is as follows:



• Sizes(mm)



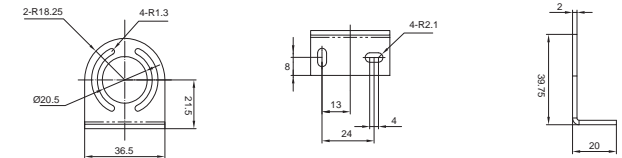
Model	L1(mm)	L2(mm)
LF32W250...	268	250
LF32W500...	518	500
LF32W750...	768	750
LF32W1000...	1018	1000

• Accessories



Each LED light has 2pcs brackets and 4pcs M4*16 screws for installation, and the angle of the brackets canbe adjusted.

The size of the braket is as follows:



User Manual

Machine&Working Position Strip LED

Lights Specification

-LF32 24VDC-K6Series



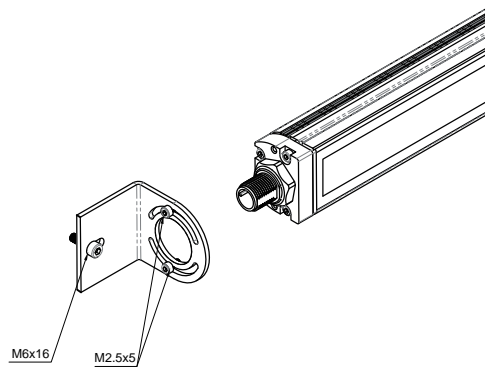
Machine&Working position LED lights are suitable for the local lighting, e.g., machine in the production and processing plant, control cabinet, or working position, etc. Based on their high ability on water and dust proofing, the lights with solid shell can be applicable to any harsh environmental conditions. The characteristics of low voltage makes LED can be directly incorporated into the industrial safety low voltage interface, so it is easy for industrial control.

- High power solid state LED array in white models
- 32 mm total width
- Lighted lengths available in four size: 250mm,500mm,750mm, 1000 mm
- 18~30VDC operation
- Cabled and Quick Disconnect models available, the length of the cable canbe customized
- Stand-alone and cascable models available
- IP65

• Technical Parameter

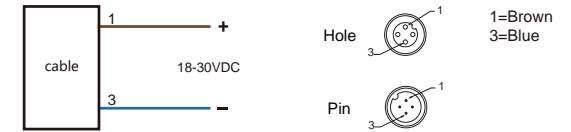
Type	LF32W 250...	LF32W 500...	LF32W 750...	LF32W 1000...
Length(mm)	250	500	750	1000
Operating voltage(V)	18~30VDC			
Power(W)	6~7	12~14	18~20	24~26
CCT(K)	5700			
Lumens(lm)	550	1100	1650	2200
IP	IP65			
Operating temperature	-20°~50°			
Note	The Power & Lumens has the fluctuation of 10% in normal			

• Installation instructions

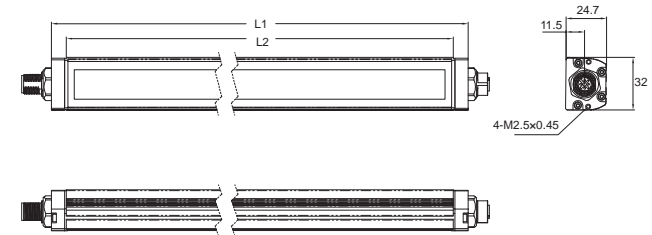


- Before installing the LED lights, Must ensure the power be off.
- When installing the lights, please accord to the graphic for wiring installation.
- Must access the anode of 18-30VDC voltage to No1 pin or hole (when cascaded), and the cathode 18-30VDC voltage to No3 pin or hole.

Install schematic diagram is as follows:



• Sizes(mm)



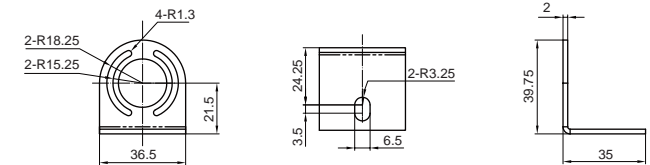
Model	L1(mm)	L2(mm)
LF32W250...	268	250
LF32W500...	518	500
LF32W750...	768	750
LF32W1000...	1018	1000

• Accessories



Each LED light has 2pcs brackets and 4pcs M4*16 screws for installation, and the angle of the brackets canbe adjusted.

The size of the bracket is as follows:



User Manual

Machine&Working Position Strip LED

Lights Specification

-LF32(HV) Series



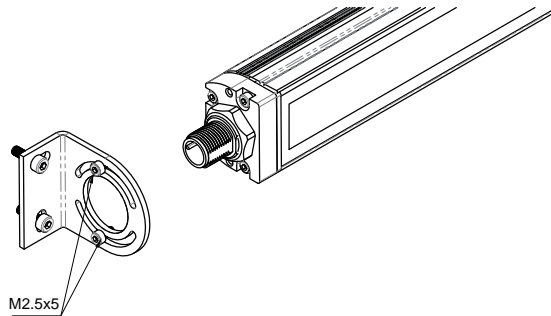
Machine&Working position LED lights are suitable for the local lighting, e.g., machine in the production and processing plant, control cabinet, or working position, etc. Based on their high ability on water and dust proofing, the lights with solid shell can be applicable to any harsh environmental conditions. The characteristics of low voltage makes LED can be directly incorporated into the industrial safety low voltage interface, so it is easy for industrial control.

- High power solid state LED array in white models
- 32 mm total width
- Lighted lengths available in four size: 250mm,500mm,750mm, 1000 mm
- 18~48VDC operation
- Cabled and Quick Disconnect models available, the length of the cable canbe customized
- Stand-alone and cascable models available
- IP65

• Technical Parameter

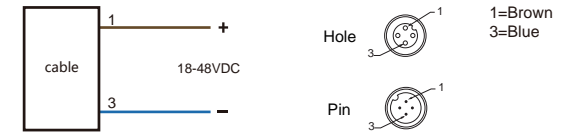
Type	LF32W 250...	LF32W 500...	LF32W 750...	LF32W 1000...
Length(mm)	250	500	750	1000
Operating voltage(V)	18~48VDC			
Power(W)	6.5~7.5	14~15	21~22	28~29
CCT(K)	5700			
Lumens(lm)	550	1100	1650	2200
IP	IP65			
Operating temperature	-20°~50°			
Note	The Power & Lumens has the fluctuation of 10% in normal			

• Installation instructions

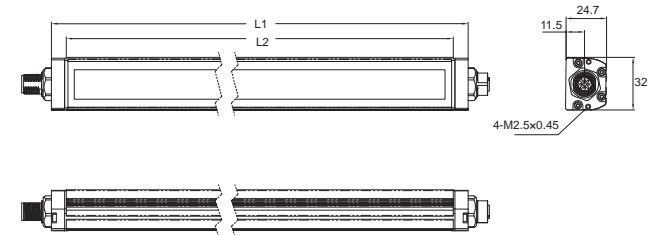


- Before installing the LED lights, Must ensure the power be off.
- When installing the lights, please accord to the graphic for wiring installation.
- Must access the anode of 18-48VDC voltage to No1 pin or hole (when cascaded), and the cathode 18-48VDC voltage to No3 pin or hole.

Install schematic diagram is as follows:



• Sizes(mm)



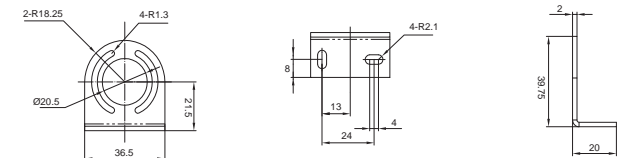
Model	L1(mm)	L2(mm)
LF32W250...	268	250
LF32W500...	518	500
LF32W750...	768	750
LF32W1000...	1018	1000

• Accessories



Each LED light has 2pcs brackets and 4pcs M4*16 screws for installation, and the angle of the brackets canbe adjusted.

The size of the braket is as follows:



User Manual

Machine&Working Position Strip LED

Lights Specification

-LF32 24VDC-KK4Series



Machine&Working position LED lights are suitable for the local lighting, e.g., machine in the production and processing plant, control cabinet, or working position, etc. Based on their high ability on water and dust proofing, the lights with solid shell can be applicable to any harsh environmental conditions. The characteristics of low voltage makes LED can be directly incorporated into the industrial safety low voltage interface, so it is easy for industrial control.

- High power solid state LED array in white models
- 32 mm total width
- Lighted lengths available in four size: 250mm,500mm,750mm, 1000 mm
- 18~30VDC operation
- Cabled and Quick Disconnect models available, the length of the cable canbe customized
- Stand-alone and cascable models available
- IP65

• Technical Parameter

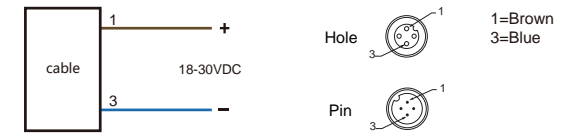
Type	LF32W 250...	LF32W 500...	LF32W 750...	LF32W 1000...
Length(mm)	250	500	750	1000
Operating voltage(V)	18~30VDC			
Power(W)	6~7	12~14	18~20	24~26
CCT(K)	5700			
Lumens(lm)	550	1100	1650	2200
IP	IP65			
Operating temperature	-20°~50°			
Note	The Power &Lumens has the fluctuation of 10% in normal			

• Installation instructions

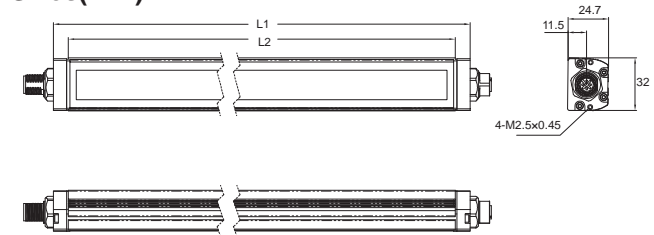


- Before installing the LED lights, Must ensure the power be off.
- When installing the lights, please accord to the graphic for wiring installation.
- Must access the anode of 18-30VDC voltage to No1 pin or hole(when cascaded), and the cathode 18-30VDC voltage to No3 pin or hole.

Install schematic diagram is as follows:



• Sizes(mm)

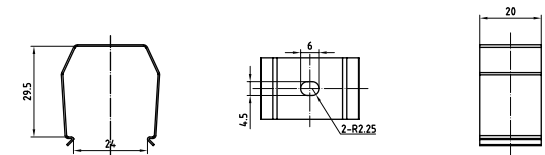


Model	L1(mm)	L2(mm)
LF32W250...	268	250
LF32W500...	518	500
LF32W750...	768	750
LF32W1000...	1018	1000

• Accessories

Each LED light has 2pcs brackets and 2pcs M4*16 screws for installation, and the angle of the brackets canbe adjusted.

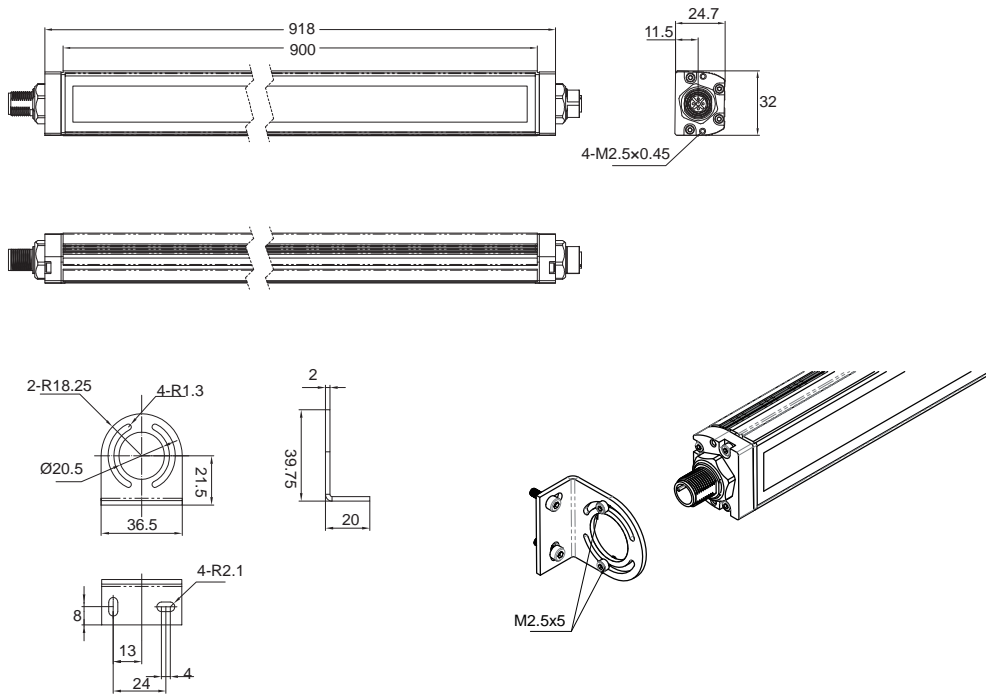
The size of the braket is as follows:



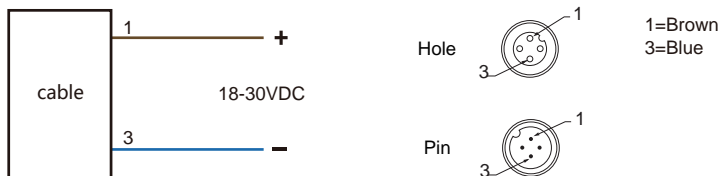
User Manual

LF32W900-C

• Dimensions and mounting (mm)



• Wiring diagram



User Manual

Machine&Working Position Strip LED

Lights Specification

-LF32 85~264VAC Series



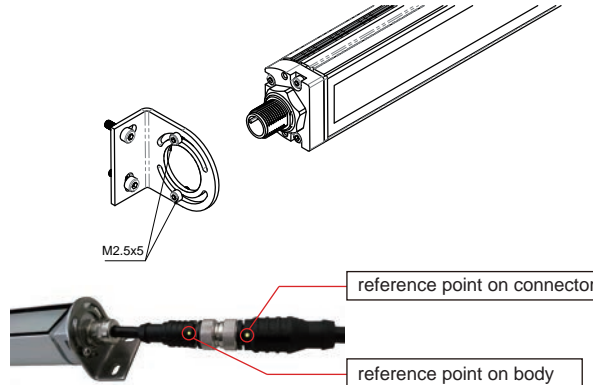
Machine&Working position LED lights are suitable for the local lighting, e.g., machine in the production and processing plant, control cabinet, or working position, etc. Based on their high ability on water and dust proofing, the lights with solid shell can be applicable to any harsh environmental conditions.

- High power solid state LED array in white models
- 32 mm total width
- Lighted lengths available in four size: 250mm,500mm,750mm, 1000 mm
- 85~264VAC operation
- Cabled and Quick Disconnect models available, the length of the cable canbe customized
- Stand-alone and cascable models available
- IP65

Technical Parameter

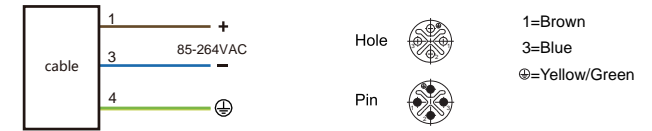
Type	LF32W 250...	LF32W 500...	LF32W 750...	LF32W 1000...
Length(mm)	250	500	750	1000
Operating voltage(V)	85~264V AC			
Power(W)	6.5~7.5	14~15	21~22	28~29
CCT(K)	5700 (WW: 3000-3500, WP: 4000)			
Lumens(lm)	550	1100	1650	2200
IP	IP65			
Operating temperature	-20°~50°			
Note	The Power & Lumens has the fluctuation of 10% in normal			

Installation instructions

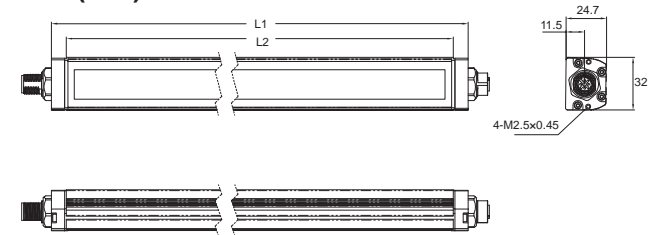


- Must align the two reference points when installing the connector.
- Before installing the LED lights, Must ensure the power be off.
- When installing the lights, please accord to the graphic for wiring installation.
- Must access the brown wire to L, the blue wire to the N of the 220Vac voltage input, the yellow green wire to the Ground.

Install schematic diagram is as follows:



Sizes(mm)

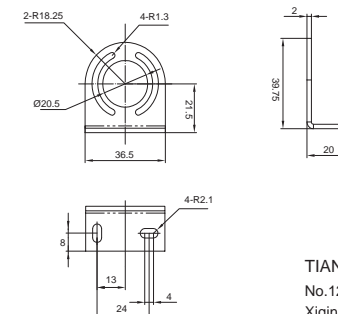


Model	L1(mm)	L2(mm)
LF32W250...	268	250
LF32W500...	518	500
LF32W750...	768	750
LF32W1000...	1018	1000

Accessories



Each LED light has 2pcs brackets and 4pcs M4*16 screws for installation, and the angle of the brackets canbe adjusted. The size of the braket is as follows:



User Manual

Machine&Working Position Strip LED

Lights Specification

-LF32 85~264VAC -K6 Series



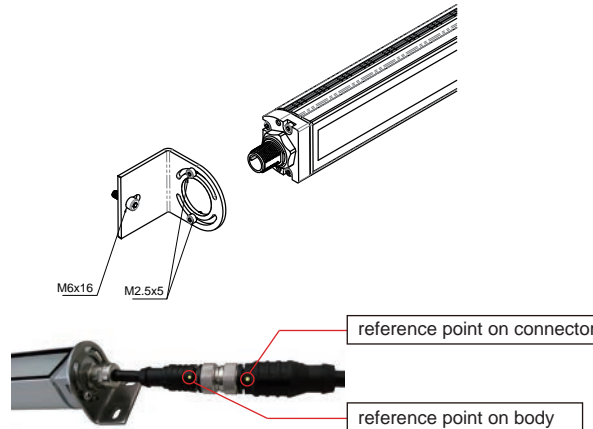
Machine&Working position LED lights are suitable for the local lighting, e.g., machine in the production and processing plant, control cabinet, or working position, etc. Based on their high ability on water and dust proofing, the lights with solid shell can be applicable to any harsh environmental conditions.

- High power solid state LED array in white models
- 32 mm total width
- Lighted lengths available in four size : 250mm,500mm,750mm, 1000 mm
- 85~264VAC operation
- Cabled and Quick Disconnect models available, the length of the cable canbe customized
- Stand-alone and cascable models available
- IP65

• Technical Parameter

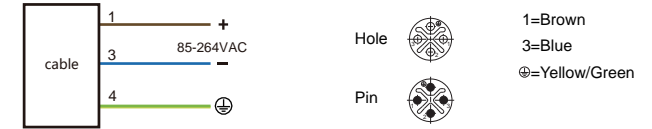
Type	LF32W 250...	LF32W 500...	LF32W 750...	LF32W 1000...
Length(mm)	250	500	750	1000
Operating voltage(V)	86~264V AC			
Power(W)	6.5~7.5	14~15	21~22	28~29
CCT(K)	5700 (WW: 3000-3500, WP: 4000)			
Lumens(lm)	550	1100	1650	2200
IP	IP65			
Operating temperature	-20°~50°			
Note	The Power &Lumens has the fluctuation of 10% in normal			

• Installation instructions

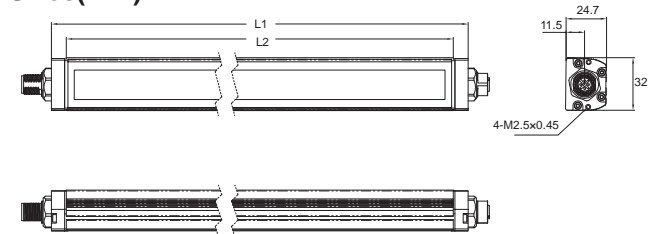


- Must align the two reference points when installing the connector.
- Before installing the LED lights, Must ensure the power be off.
- When installing the lights, please accord to the graphic for wiring installation.
- Must access the brown wire to L, the blue wire to the N of the 220Vac voltage input, the yellow green wire to the Ground.

Install schematic diagram is as follows:



• Sizes(mm)

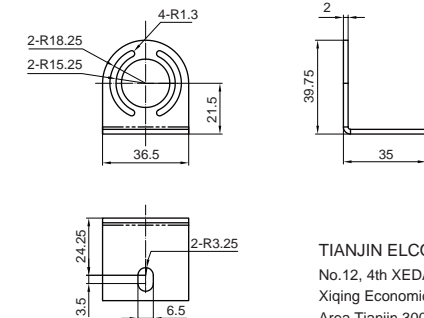


Model	L1(mm)	L2(mm)
LF32W250...	268	250
LF32W500...	518	500
LF32W750...	768	750
LF32W1000...	1018	1000

• Accessories



Each LED light has 2pcs brackets and 4pcs M4*16 screws for installation, and the angle of the brackets canbe adjusted. The size of the braket is as follows:



User Manual

Machine&Working Position Strip LED

Lights Specification

-LF48(24VDC) Series



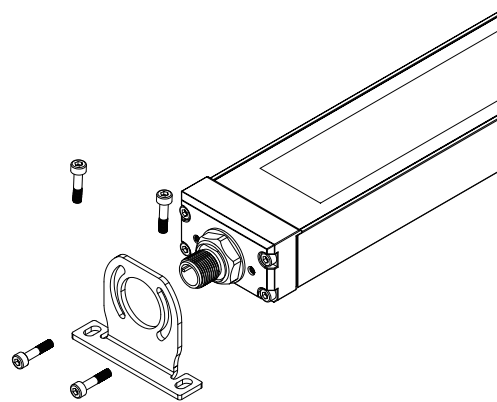
LF48 Series LED lights are suitable for the Milling Machine, Turning Machine, Grinding Machine Tools, etc. Flexible Production Lines, and other harsh industrial environments where need high waterproof, dustproof performance. The characteristics of low voltage makes LED can be directly incorporated into the industrial safety low voltage interface, so it is easy for industrial control.

- High power solid state LED array in white models
- 48 mm total width
- Lighted lengths available in four size: 200mm, 400mm, 600mm, 800 mm
- 18~36VDC operation
- Mounting brackets with $\pm 45^\circ$ angle adjustable
- Cascadable
- IP67

• Technical Parameter

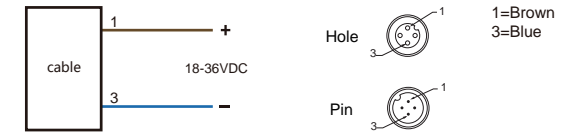
Type	LF48W 200...	LF48W 400...	LF48W 600...	LF48W 800...
Length(mm)	200	400	600	800
Operating voltage(V)	18~36VDC			
Power(W)	6~7	12~14	18~20	24~26
CCT(K)	5700 (WW: 3000-3500、WP: 4000K)			
Lumens(lm)	550	1100	1650	2200
IP	IP67			
Operating temperature	-20°~50°			
Note	The Power & Lumens has the fluctuation of 10% in normal			

• Installation instructions

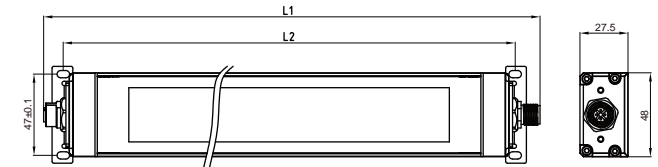


- Before installing the LED lights, Must ensure the power be off.
- When installing the lights, please accord to the graphic for wiring installation. Must access the anode of 18-36VDC voltage to No1 pin or hole, and the cathode 18-36VDC voltage to No3 pin or hole.

Install schematic diagram is as follows:



• Sizes(mm)



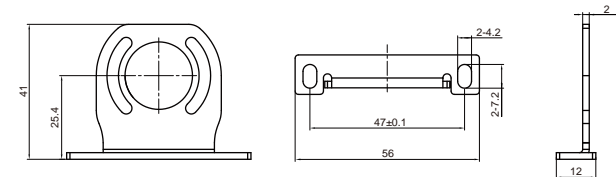
Model	L1(mm)	L2(mm)
LF48W200...	261.5	238
LF48W400...	461.5	438
LF48W600...	661.5	638
LF48W800...	861.5	838

• Accessories



Each LED light has 2pcs brackets, 4pcs M4*16 and 4pcs M3*8 screws for installation, and the angle of the brackets can be adjusted.

The size of the bracket is as follows:

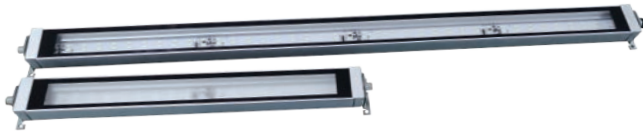


User Manual

Machine&Working Position Strip LED

Lights Specification

-LF48 (12VDC) Series



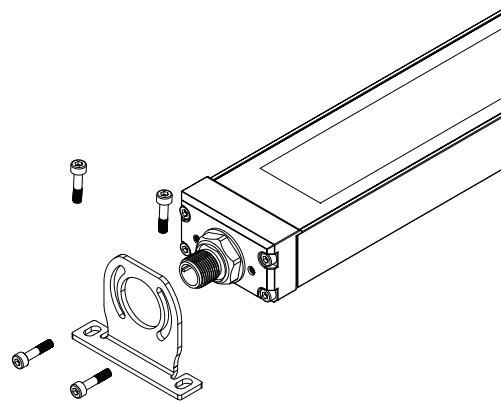
LF48 Series LED lights are suitable for the Milling Machine, Turning Machine, Grinding Machine Tools, etc. Flexible Production Lines, and other harsh industrial environments where need high waterproof, dustproof performance. The characteristics of low voltage makes LED can be directly incorporated into the industrial safety low voltage interface, so it is easy for industrial control.

- High power solid state LED array in white models
- 48 mm total width
- Lighted lengths available in four size: 200mm, 400mm, 600mm, 800 mm
- 12VDC operation
- Mounting brackets with $\pm 45^\circ$ angle adjustable
- Cascadable
- IP67

• Technical Parameter

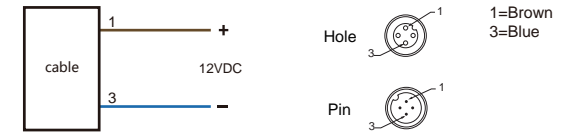
Type	LF48W 200...	LF48W 400...	LF48W 600...	LF48W 800...
Length(mm)	200	400	600	800
Operating voltage(V)	12VDC			
Power(W)	6~7	12~14	18~20	24~26
CCT(K)	5700 (WW: 3000-3500、WP: 4000K)			
Lumens(lm)	550	1100	1650	2200
IP	IP67			
Operating temperature	-20°~50°			
Note	The Power & Lumens has the fluctuation of 10% in normal			

• Installation instructions

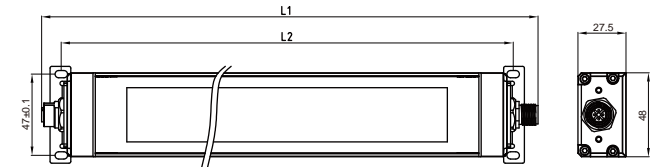


- Before installing the LED lights, Must ensure the power be off.
- When installing the lights, please accord to the graphic for wiring installation. Must access the anode of 12VDC voltage to No1 pin or hole, and the cathode 12VDC voltage to No3 pin or hole.

Install schematic diagram is as follows:



• Sizes(mm)



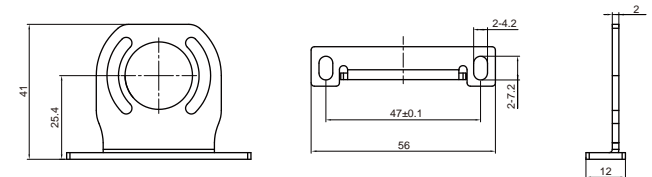
Model	L1(mm)	L2(mm)
LF48W200...	261.5	238
LF48W400...	461.5	438
LF48W600...	661.5	638
LF48W800...	861.5	838

• Accessories



Each LED light has 2pcs brackets, 4pcs M4*16 and 4pcs M3*8 screws for installation, and the angle of the brackets can be adjusted.

The size of the bracket is as follows:



User Manual

Machine&Working Position Strip LED

Lights Specification

-LF48 -FAG Series



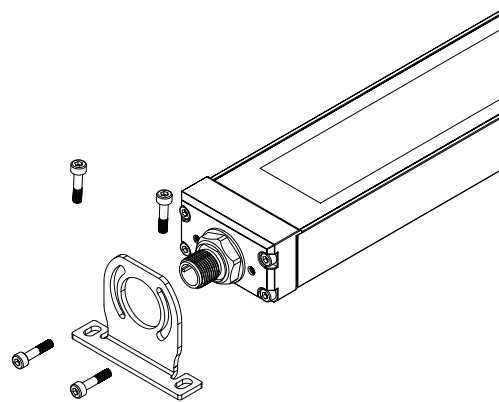
LF48 Series LED lights has excellent oil proof performance, suitable for the Milling Machine, Turning Machine, Grinding Machine Tools, etc. Flexible Production Lines, and other harshest industrial environments where need high waterproof, dustproof and oil proof. The characteristics of low voltage makes LED can be directly incorporated into the industrial safety low voltage interface, so it is easy for industrial control.

- High power solid state LED array in white models
- 48 mm total width
- Lighted lengths available in four size: 200mm, 400mm, 600mm, 800 mm
- 18~36VDC operation
- Mounting brackets with $\pm 45^\circ$ angle adjustable
- Cascadable
- IP67 and oil proof

• Technical Parameter

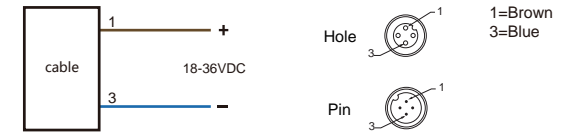
Type	LF48W 200...	LF48W 400...	LF48W 600...	LF48W 800...
Length(mm)	200	400	600	800
Operating voltage(V)	18-36			
Current (A, 24V)	0.3	0.6	0.85	1.2
Power(W)	6~7	12~14	18~20	24~26
CCT(K)	5700(WW : 3000-3500、 WP : 4000)			
Lumens(lm)	550	1100	1600	2100
IP	IP67			
Operating Temperature	-20°-50°			

• Installation instructions

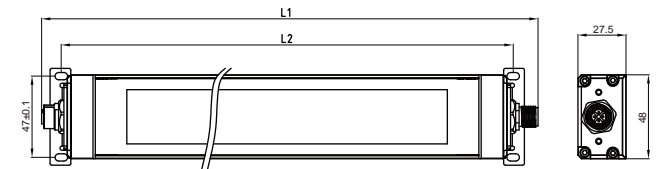


- Before installing the LED lights, Must ensure the power be off.
- When installing the lights, please accord to the graphic for wiring installation.
Must access the anode of 18-36VDC voltage to No1 pin or hole (when cascaded), and the cathode 18-36VDC voltage to No3 pin or hole.

Install schematic diagram is as follows:



• Sizes(mm)



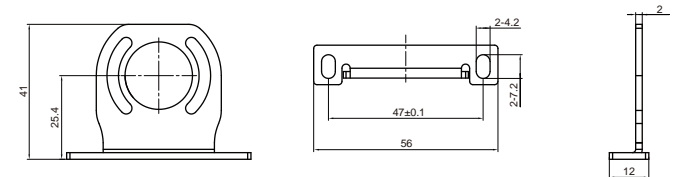
Model	L1(mm)	L2(mm)
LF48W200...	261.5	238
LF48W400...	461.5	438
LF48W600...	661.5	638
LF48W800...	861.5	838

• Accessories



Each LED light has 2pcs brackets, 4pcs M4*16 and 4pcs M3*8 screws for installation, and the angle of the brackets can be adjusted.

The size of the bracket is as follows:



User Manual

机器工位条形LED照明灯

-LF48-FAG 系列



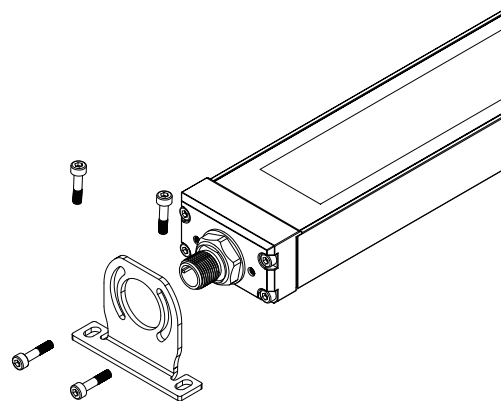
LF48 系列 LED 条形灯具有较高的防护能力，适用于组合加工中心，铣床，磨床等加工机床，以及其他需要高防水、防尘的恶劣环境中。特殊的处理工艺使其具有优秀的防油能力，主要的产品特点如下：

- 灯体宽48mm
- 四种长度规格：200mm、400mm、600mm、800mm
- 18~36VDC 恒功率输出
- 灯体可 $\pm 45^\circ$ 旋转
- 可级联
- IP67 防护等级
- 工业接插件供电

· 技术参数

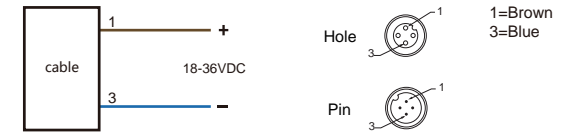
型号	LF48W 200...	LF48W 400...	LF48W 600...	LF48W 800...
长度(mm)	200	400	600	800
工作电压 (V)	18-36			
电流 (A, 24V)	0.3	0.6	0.85	1.2
功率 (W)	6~7	12~14	18~20	24~26
色温 (K)	5700(WW : 3000-3500、WP : 4000)			
光通量 (lm)	550	1100	1600	2100
IP 等级	IP67			
环境温度	-20°-50°			

· 安装说明

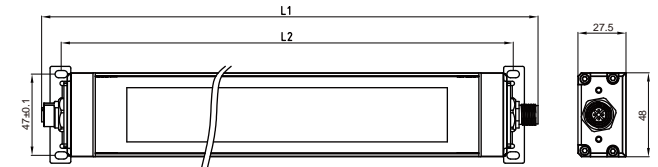


- 在安装之前，请确认线路处于断电状态。
- 请参考下面的接线图接线：将18-36Vdc的正极接到1号针（孔）中，将负极接到3号针（孔）中

接线图如下:



· 外形尺寸(mm)



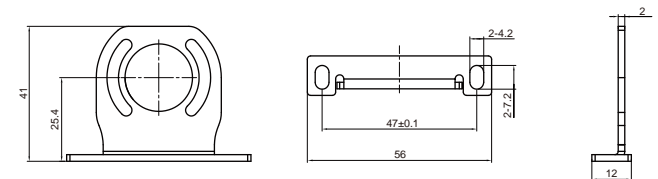
Model	L1(mm)	L2(mm)
LF48W200...	261.5	238
LF48W400...	461.5	438
LF48W600...	661.5	638
LF48W800...	861.5	838

· 安装附件



每一个LED灯配2pcs的可调安装支架，4pcs M4*16 安装螺钉，以及4pcs的M3*8的固定支架角度螺钉

支架尺寸图如下:



LL76-24V系列

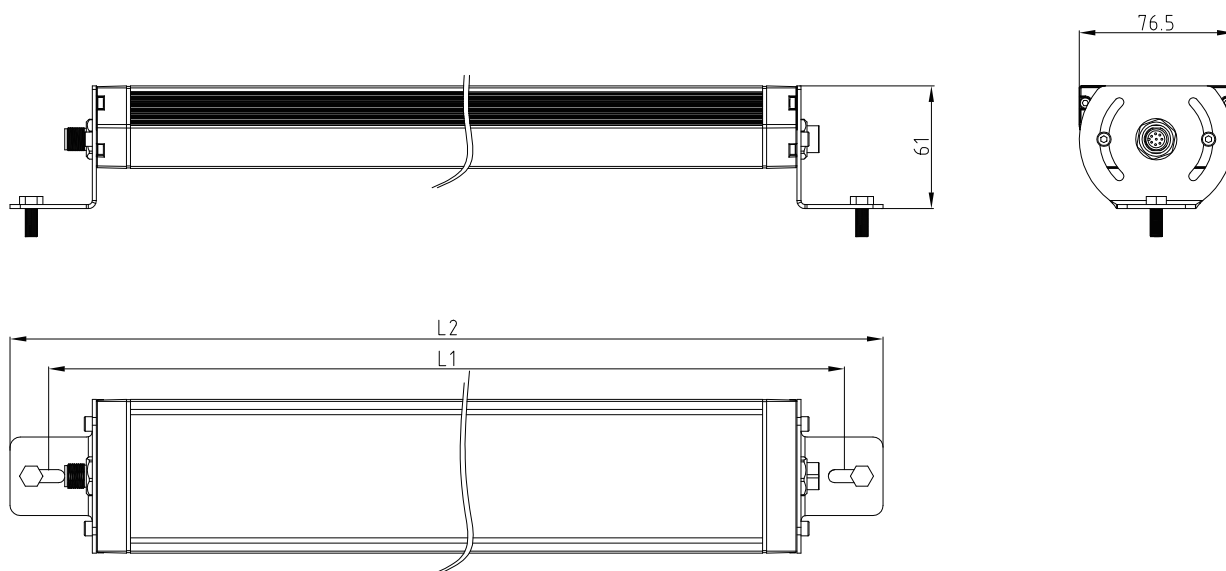


- LED模组、驱动电源、安装支架一体化设计,可直接替换2根传统荧光灯管
- 高柔PC面罩,发光均匀,柔和不刺眼
- 显色指数Ra>80, R9>0, 高度还原物体真实颜色
- DC18~36V, 可选级联型号多个灯级联使用, 方便现场布线
- 坚固的铝制外壳, 抗冲击能力强, 铝制外壳可抵抗一定的外界环境碰撞, 保障灯体内部的电子电路正常工作
- 隔离式恒流驱动, 安全可靠, 无频闪
- L型支架可在±45°内调整角度, 有效将光线照射到目标面, 提高光线利用率

型号列表

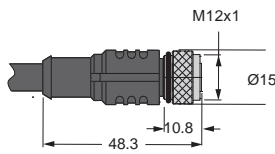
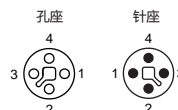
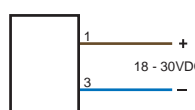
型号	L1	L2	功率	电流 (24V)	光通量	单机/串联
LL76W806-20/20W-DC	675mm	710mm	20W	0.9A	1700lm	单机
LL76W806-20/20W-C-DC	675mm	710mm	20W	0.9A	1700lm	串联
LL76W809-20/30W-DC	975mm	1010mm	30W	1.3A	2550lm	单机
LL76W809-20/30W-C-DC	975mm	1010mm	30W	1.3A	2550lm	串联
LL76W812-20/40W-DC	1260mm	1295mm	40W	1.7A	3400lm	单机
LL76W812-20/40W-C-DC	1260mm	1295mm	40W	1.7A	3400lm	串联

尺寸图 (mm)



LL76-24V系列

接线方式 (线缆型号为2m线, 其它长度可定制)

LED灯系列	预铸线外形	接口形式	线缆型号	接线图
LL76 (DC)			ELL32T-K-2M ELL32T-K-Z-2M (双端)	

型号说明

LL76 **W** **8** **06** - **20** / **20W** - **C** - **XXX**
 ① ② ③ ④ ⑤ ⑥ ⑦ ⑧

- ① **LL76** 系列名称, 一体化76系列
- ② **W** 色温, W: 冷白5700K; WW: 暖白3500K; WP: 正白4000K
- ③ **8** 显色指数Ra, 在80~89之间
- ④ **06** 灯体发光面长度, 分别为600mm, 900mm
- ⑤ **20** 防护等级, 等级为IP20
- ⑥ **20W** 功率信息, 2种长度规格功率分别为: 20W, 30W
- ⑦ **C** 串联接头, -C为可级联型号; Blank 为单机型号
- ⑧ **XXX** 区分位或其他定制信息 (-DC为24VDC方案, Blank默认为220VAC型号)

LL76-220VAC系列

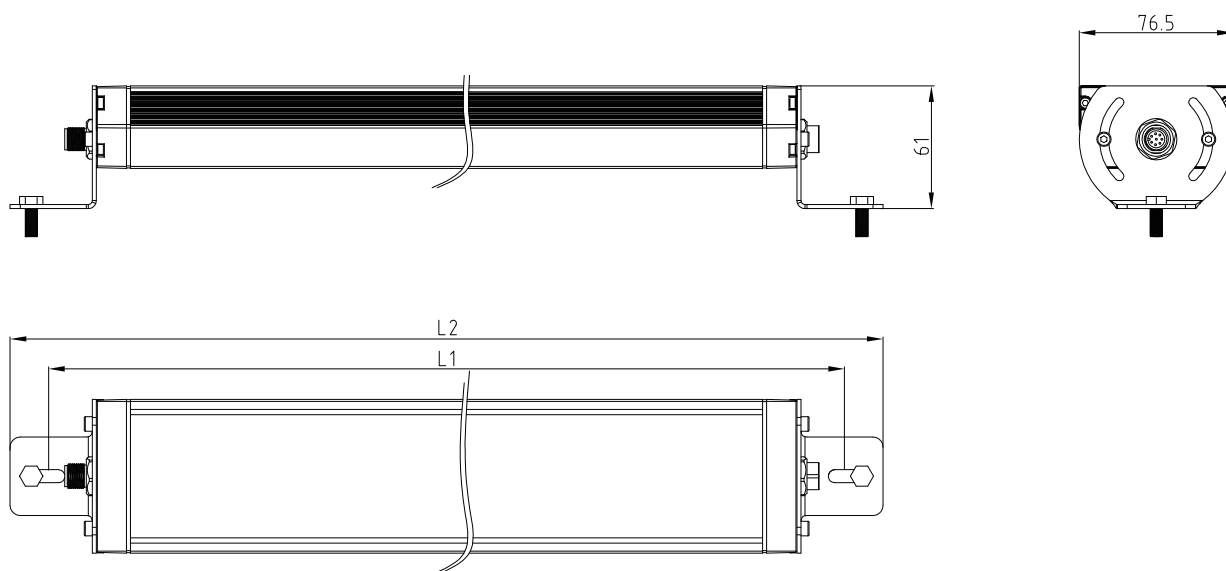


- LED模组、驱动电源、安装支架一体化设计,可直接替换2根传统荧光灯管
- 高柔PC面罩,发光均匀,柔和不刺眼
- 显色指数Ra>80, R9>0, 高度还原物体真实颜色
- AC85~264V, 可选级联型号多个灯级联使用, 方便现场布线
- 坚固的铝制外壳, 抗冲击能力强, 铝制外壳可抵抗一定的外界环境碰撞, 保障灯体内部的电子电路正常工作
- 隔离式恒流驱动, 安全可靠, 无频闪
- L型支架可在±45°内调整角度, 有效将光线照射到目标面, 提高光线利用率

型号列表

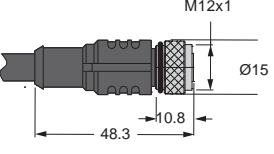
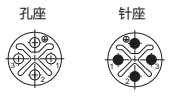
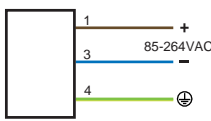


型号	L1	L2	功率	电流 (24V)	光通量	单机/串联
LL76W806-20/20W*	675mm	710mm	20W	0.1A	1700lm	单机
LL76W806-20/20W-C*	675mm	710mm	20W	0.1A	1700lm	串联
LL76W809-20/30W*	975mm	1010mm	30W	0.15A	2550lm	单机
LL76W809-20/30W-C*	975mm	1010mm	30W	0.15A	2550lm	串联
LL76W812-20/40W*	1260mm	1295mm	40W	0.2A	3400lm	单机
LL76W812-20/40W-C*	1260mm	1295mm	40W	0.2A	3400lm	串联

尺寸图 (mm)



LL76-220VAC系列

接线方式

LED灯系列	预铸线外形	接口形式	线缆型号	接线图
LL76 (220VAC)			ELL32S-K-2M ELL32S-K-Z-2M (双端)	
注意事项		220V型号接入插件时请务必将灯体及插件上标记的参照点对齐后再插入		

型号说明

LL76 **W** **8** **06** - **20** / **20W** - **C** - **XXX**
 ① ② ③ ④ ⑤ ⑥ ⑦ ⑧

- ① **LL76** 系列名称，一体化76系列
- ② **W** 色温，W：冷白5700K；WW：暖白3500K；WP：正白4000K
- ③ **8** 显色指数Ra，在80~89之间
- ④ **06** 灯体发光面长度，分别为600mm，900mm
- ⑤ **20** 防护等级，等级为IP20
- ⑥ **20W** 功率信息，2种长度规格功率分别为：20W，30W
- ⑦ **C** 串联接头，-C为可级联型号；Blank为单机型号
- ⑧ **XXX** 区分位或其他定制信息（-DC为24VDC方案，Blank默认为220VAC型号）

塔式报警指示灯PG50系列



一体式报警灯, 简洁明了的机器设备及工位的状态指示

- 一体式报警灯, 外形简单大方
- 直径50mm, 单节/3节 不同高度可供选择
- 多种颜色显示可选, 单节时即可显示RGB 3种颜色
- 24V DC电压输入
- 连续报警蜂鸣器可选
- 两种供电方式: 直接出线和接插件

型号列表

型号	显示层数	可显示颜色	L1	L2	蜂鸣器	供电接口	电流
PG50-3N-RYG	3	红/黄/绿	325mm	182mm	-	5芯 M12	单层 R.G.B:70mA
PG50-3N-RYG-S	3	红/黄/绿	325mm	182mm	有	5芯 M12	
PG50-3N-RYG-S/2M	3	红/黄/绿	325mm	182mm	有	直接出线	三层 R:92mA G:56mA Y:133mA
PG50-1-RGB-S	1	红/绿/蓝	213mm	50mm	有	5芯 M12	
PG50-1-RGB-S/2M	1	红/绿/蓝	213mm	50mm	有	直接出线	

型号说明

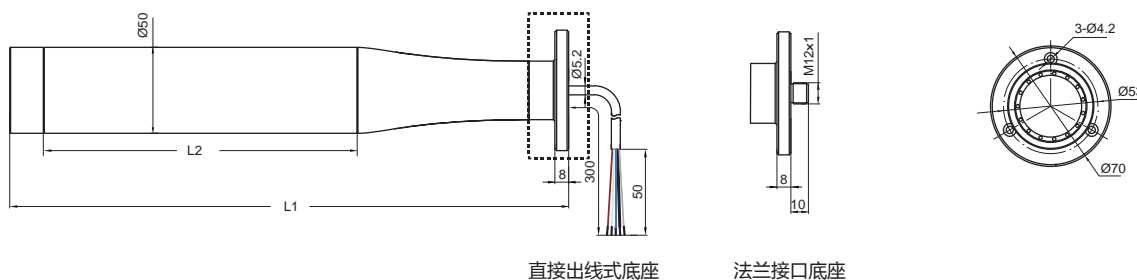
PG50 - **3N** - **RYG** - **S** / **0.3M** - **XXX**

① ② ③ ④ ⑤ ⑥

- ① PG50 系列名称
- ② 3N 显示层数信息, 1: 单节报警灯; 3: 3节报警灯; N: 共正级, Blank默认为共负级
- ③ RYG 颜色信息, R: 红色; G: 绿色; Y: 黄色; B: 蓝色, 其中单节时可以显示RGB 三种颜色
- ④ S 蜂鸣器, 持续报警蜂鸣器, 80dB
- ⑤ 0.3M 供电类型, /0.3M 为0.3m直接出线 (其它出线长度可定制); Blank为5针M12接插件
- ⑥ XXX 区分位或者其它定制信息

塔式报警指示灯PG50系列

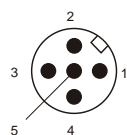
尺寸图 (mm)



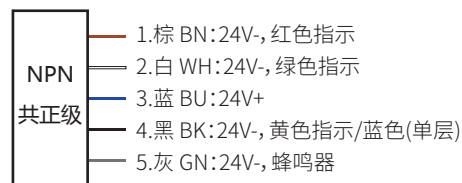
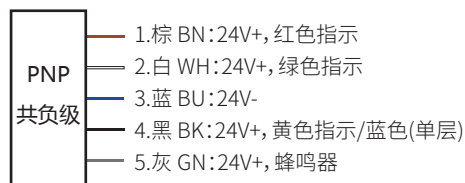
直接出线式底座

法兰接口底座

接线方式 (接插件/直接出线)



接插件型号:
CO12.5-2



塔式报警指示灯PG50-FAG系列



一体式报警灯，简洁明了的机器设备及工位的状态指示

- 一体式报警灯，外形简单大方
- 直径50mm，单节/3节 不同高度可供选择
- 多种颜色显示可选，单节时即可显示RGB 3种颜色，
三节时从上往下依次是红、黄、绿
- 24V DC电压输入
- 连续报警蜂鸣器可选
- 两种供电方式：直接出线和接插件

型号列表

型号	显示层数	可显示颜色	L1	L2	蜂鸣器	供电接口	电流
PG50-1-RGB	1	红/绿/蓝	213mm	70mm	-	5芯 M12	
PG50-1-RGB-S	1	红/绿/蓝	213mm	70mm	有	5芯 M12	R: 2.2W G: 1.8W
PG50-1-RGB-S/0.3M	1	红/绿/蓝	213mm	70mm	有	直接出线	B: 2.1W Y: 3.1W
PG50-3-RYW-S	3	红/黄/白	325mm	182mm	有	5芯 M12	W: 0.8W
PG50-3-RYW-S/0.3M	3	红/黄/白	325mm	182mm	有	直接出线	

型号说明

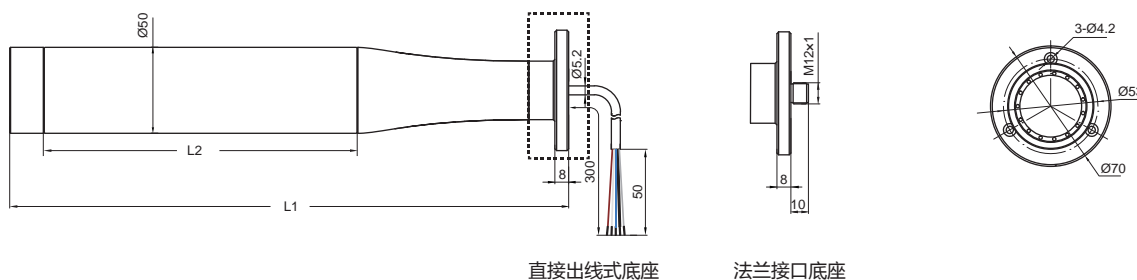
PG50 - **3** - **RYW** - **S** / **0.3M** - **XXX**

① ② ③ ④ ⑤ ⑥

- ① PG50 系列名称
- ② 3 显示层数信息，1: 单节报警灯；
- ③ RYW 颜色信息，R: 红色；G: 绿色；Y: 黄色；B: 蓝色；W: 白色，其中单节时可以显示RGB 三种颜色
- ④ S 蜂鸣器，持续报警蜂鸣器，80dB
- ⑤ 0.3M 供电类型，/0.3M 为0.3m直接出线（其它出线长度可定制）；Blank为5针M12接插件
- ⑥ XXX 区分位或者其它定制信息

塔式报警指示灯PG50系列

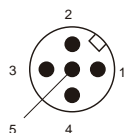
尺寸图 (mm)



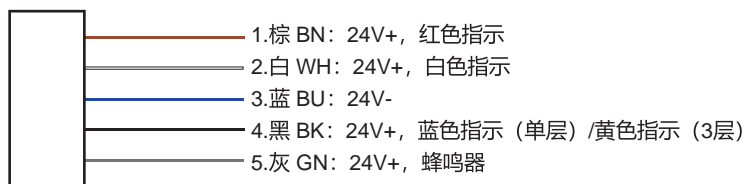
直接出线式底座

法兰接口底座

接线方式 (接插件/直接出线)



接插件型号:
EK4.5-2M/P00



圆形指示灯PR30系列

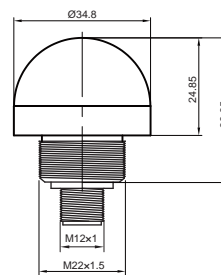


- 铝制外壳, 氧化铝表面处理, 外壳坚固并且易于散热
- 灯体直径35mm, 底座直径22mm, 安装便捷
- 红绿两种基础颜色, 其它颜色可定制
- 24V DC电压输入
- 两种供电方式: 直接出线 and 接插件

型号列表

型号	可显示颜色	供电接口	PNP/NPN
PR30-GR	红/绿/黄	4芯 M12	PNP
PR30-GR/2M	红/绿/黄	直接出线	PNP
PR30-N-GR	红/绿/黄	4芯 M12	NPN
PR30-N-GRY	红/绿/黄	4芯 M12	NPN
PR30-GRY	红/绿/黄	4芯 M12	PNP

尺寸图 (mm)



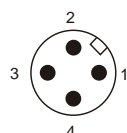
型号说明

PR30 - **N** - **GR** - / **1M**

① ② ③ ④

- ① **PR30** 系列名称
- ② **N** 接线方式, Blank默认PNP共负极, N-NPN共正极
- ③ **GR** 颜色信息, R: 红色; G: 绿色; Y: 黄色
- ④ **1M** 供电类型, /1M 为1m直接出线 (其它出线长度可定制); Blank为4针M12接插件

接线方式 (接插件/直接出线)



接插件型号:
CO12.4-2



圆形指示灯PR30-RGB七色系列

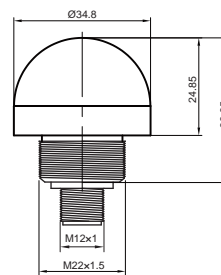


- 铝制外壳, 氧化铝表面处理, 外壳坚固并且易于散热
- 灯体直径35mm, 底座直径22mm, 安装便捷
- 红绿蓝三色光源, 最多支持7色输出
- 24V DC电压输入
- 两种供电方式: 直接出线 and 接插件

型号列表

型号	可显示颜色	供电接口	电流(24V)
PR30-RGB	红/绿/蓝/黄/青/紫/白	4芯 M12	R:13mA
PR30-N-RGB	红/绿/蓝/黄/青/紫/白	直接出线	G:7mA B:7mA
PR30-RGB/2M	红/绿/蓝/黄/青/紫/白	4芯 M12	

尺寸图 (mm)



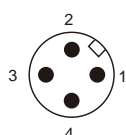
型号说明

PR30 - **N** - **RGB** - / **1M**

① ② ③ ④

- ① **PR30** 系列名称
- ② **N** 接线方式, Blank默认PNP共负极, N-NPN共正极
- ③ **RGB** 光源颜色信息, R-红色, G-绿色, B-蓝色
- ④ **1M** 供电类型, /1M 为1m直接出线 (其它出线长度可定制); Blank为4针M12接插件

接线方式(接插件/直接出线)



接插件型号:
CO12.4-2



混光方案:

- 1、红色+绿色=黄色
- 2、红色+蓝色=紫色
- 3、绿色+蓝色=青色
- 4、红色+绿色+蓝色=白色

圆形指示灯PR50系列

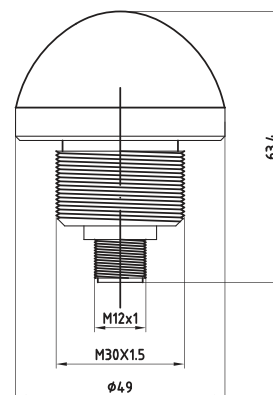


- 铝制外壳, 氧化铝表面处理, 外壳坚固并且易于散热
- 灯体直径50mm, 底座直径30mm, 安装便捷
- 红绿两种基础颜色, 其它颜色可定制
- 24V DC电压输入
- 两种供电方式: 直接出线 and 接插件

型号列表

型号	可显示颜色	共正/共负	供电接口	电流
PR50-GR	红/绿/黄	共负	4芯 M12	24V: R:20mA G:10mA Y:30mA
PR50-GR/2M	红/绿/黄	共负	直接出线	
PR50-N-GR	红/绿/黄	共正	4芯 M12	
PR50-GRY	红/绿/黄	共负	4芯 M12	

尺寸图 (mm)



型号说明

PR50 - **N** - **GR** - / **1M**

① ② ③ ④

- ① **PR50** 系列名称
- ② **N** 接线方式, Blank默认PNP共负极, N-NPN共正极
- ③ **GR** 颜色信息, R-红色; G-绿色(默认为红绿两色光源, 其它颜色需要定制)
- ④ **1M** 供电类型, /1M为1m直接出线(其它出线长度可定制); Blank为4针M12接插件

接线方式(接插件/直接出线)



圆形指示灯PR50-RGB系列

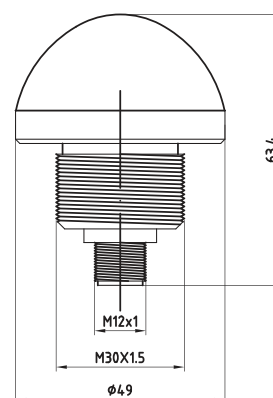


- 铝制外壳, 氧化铝表面处理, 外壳坚固并且易于散热
- 灯体直径50mm, 底座直径30mm, 安装便捷
- 红绿蓝三色光源, 最多支持7色输出
- 24V DC电压输入
- 两种供电方式: 直接出线 and 接插件

型号列表

型号	可显示颜色	供电接口	电流
PR50-RGB	红/绿/蓝/黄/青/紫/白	4芯 M12	R:28mA G:17mA B:17mA
PR50-RGB/2M	红/绿/蓝/黄/青/紫/白	直接出线	

尺寸图 (mm)



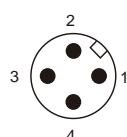
型号说明

PR50 - **RGB** / **1M**

① ② ③

- ① PR50 系列名称
- ② RGB 光源颜色信息, R: 红色; G: 绿色; B: 蓝色
- ③ 1M 供电类型, /1M 为1m直接出线 (其它出线长度可定制); Blank为4针M12接插件

接线方式(接插件/直接出线)



接插件型号:
CO12.4-2



混光方案:

- 1、红色+绿色=黄色
- 2、红色+蓝色=紫色
- 3、绿色+蓝色=青色
- 4、红色+绿色+蓝色=白色

圆形指示灯PR50-PB1系列

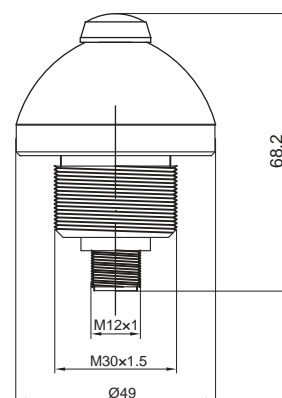


- 铝制外壳, 氧化铝表面处理, 外壳坚固并且易于散热
- 压动式不锈钢机械按钮
- 灯体直径50mm, 底座直径30mm, 安装便捷
- 红绿两种基础颜色, 其它颜色可定制
- 24V DC电压输入
- 两种供电方式: 直接出线 and 接插件

型号列表

型号	可显示颜色	供电接口	功率
PR50-GR-PB1	红/绿	5芯 M12	24V: R:20mA G:10mA
PR50-GR-PB1/2M	红/绿	直接出线	

尺寸图 (mm)



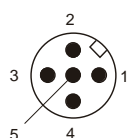
型号说明

PR50 - **GR** - **PB1** - / **2M**

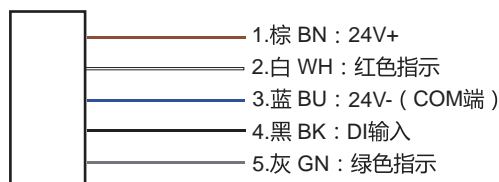
① ② ③ ④

- ① **PR50** 系列名称
- ② **GR** 颜色信息, R-红色; G-绿色
- ③ **PB1** 按钮信息, PB1:按钮反馈信号, 无逻辑; Blank时无按钮 (其他按钮逻辑功能可定制)
- ④ **2M** 供电类型, /2M 为2m直接出线 (其它出线长度可定制); Blank为5针M12接插件

接线方式(接插件/直接出线)



接插件型号:
C012.5-2



圆形指示灯PR50-FAG系列

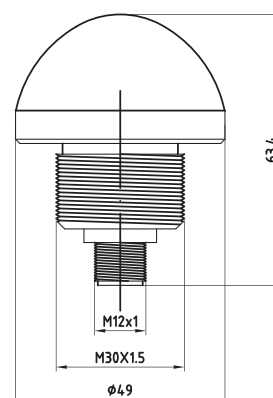


- 铝制外壳, 氧化铝表面处理, 外壳坚固并且易于散热
- 灯体直径50mm, 底座直径30mm, 安装便捷
- 红绿黄三色
- 24V DC电压输入
- 两种供电方式: 直接出线 and 接插件

型号列表

型号	可显示颜色	供电接口	功率
PR50-GR	红/绿/黄	4芯 M12	24V: R:10mA G:1mA
PR50-GR/2M	红/绿/黄	直接出线	

尺寸图 (mm)



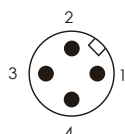
型号说明

PR50 - **GR** / **1M**

① ② ③

- ① **PR50** 系列名称
- ② **GR** 颜色信息, R: 红色; G: 绿色; Y: 黄色
- ③ **1M** 供电类型, /1M 为1m直接出线 (其它出线长度可定制); Blank为4针M12接插件

接线方式(接插件/直接出线)



接插件型号:
CO12.4-2

